

# DEMO KIT FLYER

## MERIDIAN UNIVERSAL GAS DETECTOR

**tyco**  
Gas & Flame  
Detection



The Meridian Universal Gas Detector Demo Kit allows you to demonstrate the full range of capabilities of the 3-4 Wire Meridian Universal Gas Detector. The demo kit includes:

- 3-4 Wire Meridian Gas Detector in aluminum housing
- Components to demonstrate Single, Dual or Triple Head Configurations
- Combustible and Toxic Sensors
- Optional HART Communication Card
- All accessories and documentation
- Demo Stand to aid your presentation

The Meridian Universal Gas Detector demo kit is available with regional approval labels:

REGION	PART NUMBER
United States/Global	096-3523-01
Canada	096-3523-02
Brazil	Pending
Russia	Pending
China	Pending
Australia	Pending
List Price:	\$5,000.00

## USE THE DEMO KIT WITH YOUR SALES PRESENTATION TO HIGHLIGHT THE KEY CAPABILITIES OF THE MERIDIAN:

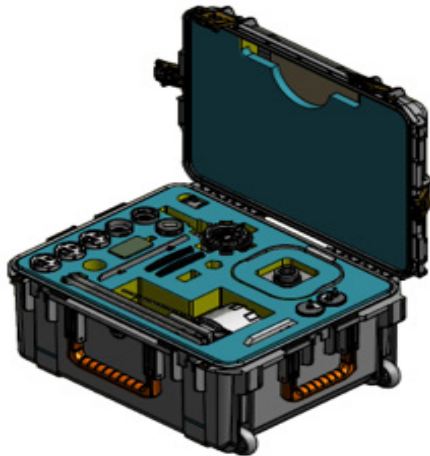
- Meridian's truly universal attributes
- Ease of use and maintenance
- Single gas detector head to support both combustible and toxic applications
- Plug & Play sensor design
- Intrinsically safe and hot swappable sensors
- Multi-range sensors
- Remote calibration
- Universal accessories
- Communication Expansion and future proof design
- Global Approvals

# DEMO KIT FLYER

MERIDIAN UNIVERSAL GAS DETECTOR

**tyco**  
Gas & Flame  
Detection

THE MERIDIAN UNIVERSAL GAS DETECTOR DEMO KIT INCLUDES THE FOLLOWING COMPONENTS TO SUPPORT YOUR SALES PRESENTATION:



#### PHYSICAL DESCRIPTIONS

Length	24.52 in (622.9 mm)
Width	19.49 in (495.1 mm)
Depth	12.21 in (310 mm)
Weight	40 lbs (18.14 kg)

ITEM	DESCRIPTION	PART NUMBER	QUANTITY
1	Meridian 3-4 Wire Gas Detector with Display Stand	096-3451-01 or 096-3451-02	1
2	Sun Shield	073-0373	1
3	Duct Mount Adapter Kit	096-3440	1
4	Flow Cell	096-3439	1
5	Calibration Adapter	096-3438	1
6	Deluge Guard	096-3441	1
7	Aluminum Junction Box	096-3475	1
8	Universal Mounting Adapter Plate	073-0374	1
9	Wired HART Communication Card	096-3408	1
10	M-F Elbows	048-0089	1
11	3-4 Wire Detector Head Plastic Endcap	096-3484-01	1
12	3-4 Wire Detector Head SS Endcap	096-3484-02	1
13	H <sub>2</sub> S Sensor (Low Methanol)	096-3473-02	1
14	Combustible Catalytic Bead Sensor	096-3473-55	1
15	Sensor Simulator	096-3395	1
16	AC Adapter	028-0057	1
17	NPT Wire Gland Assembly	096-3483	1
18	A-Frame Panel Extension	093-0609	1
19	Meridian Literature Kit	099-0064-02	1

www.tycoGFD.com / Copyright © 2016 Tyco Gas and Flame. / All rights reserved. / GF-00043A



Safer. Smarter. Tyco.™